

SPECIFICATIONS

GENERAL:

The surface drainage system shall be FoodSafe Trench Drain - V-Bottom, to be used with trench grates as manufactured by FoodSafe Drains.

MATERIALS:

14 ga. T304 Stainless Steel, T316 Stainless Steel

SLOPE:

0.5% Standard

GRATES:

Bargrate with Optional Serration/Antislip Design

DESIGN OPTIONS:

Material (\$): SS 304(5), SS 316(6)
End (*): Open (0), End Cap (1), Flash Nipple (5)
Trench Grate Height (^): 1/4" w Spacer to 2"
Trench Grate Width (#): 6", 8", 10", 12", 14", 16"
Outlet Diameter: 3", 4", 6"
Standard Lengths: 7'6" also Optionally 5"
(possible with any Custom Lengths)

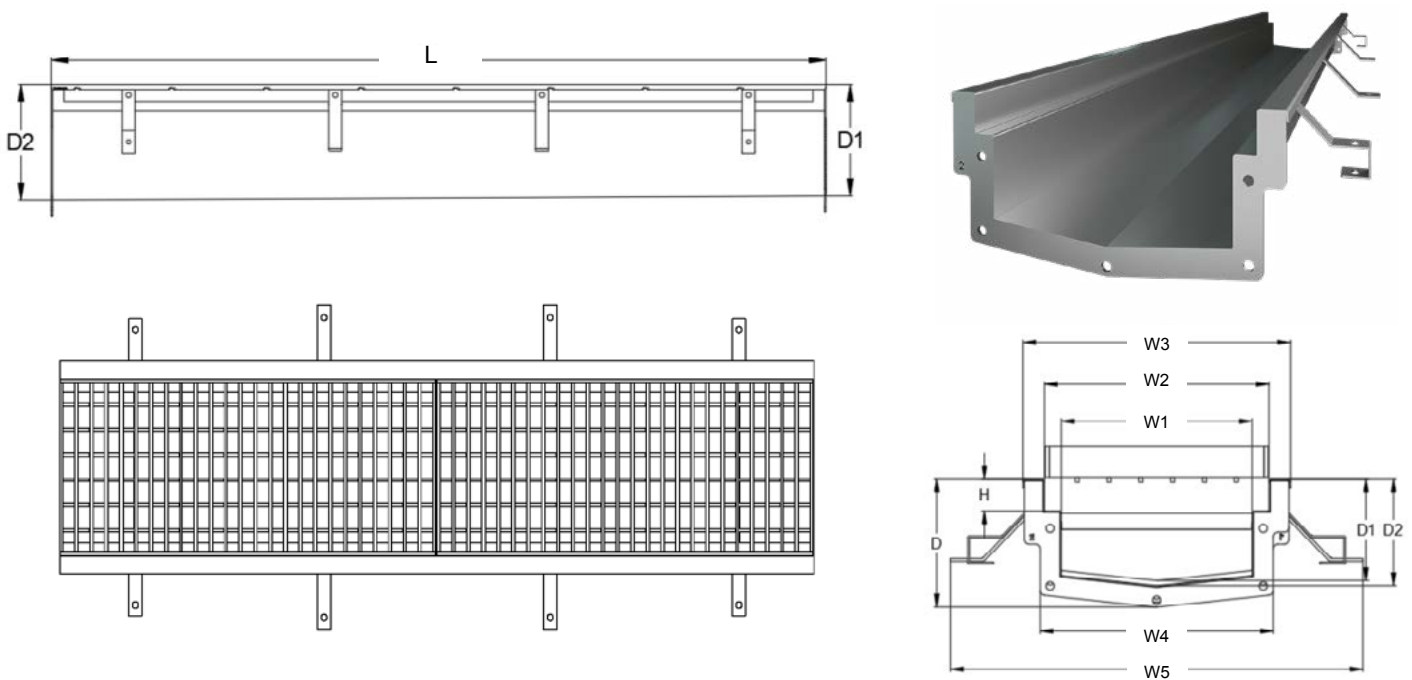
LOAD CLASS:

A15 to E600 Available.

INSTALLATION:

The FoodSafe Trench Drain - V-Bottom shall be installed in accordance with the manufacturer's installation instructions and recommendations. Trench sections are manufactured with leveling bars and flanges to secure the drain within the concrete slab.

TYPICAL MODULAR LAYOUT OF A FOODSAFE TRENCH DRAIN - V-BOTTOM SYSTEM



DRAIN CHANNELS NOTE: Also available with 90° sections, 'T' sections, for all of the depths specified below.

DESCRIPTION	PART NO.	INVERT SHALLOW INCHES	INVERT DEEP INCHES
FSD TRENCH - V-BOTTOM 102	FTV5*##-102	6	6 15/16
FSD TRENCH - V-BOTTOM 203	FTV5*##-203	6 15/16	7 7/8
FSD TRENCH - V-BOTTOM 304	FTV5*##-304	7 7/8	8 13/16
FSD TRENCH - V-BOTTOM 405	FTV5*##-405	8 13/16	9 3/4
FSD TRENCH - V-BOTTOM 506	FTV5*##-506	9 3/4	10 11/16
FSD TRENCH - V-BOTTOM 607	FTV5*##-607	10 11/16	11 5/8
FSD TRENCH - V-BOTTOM 708	FTV5*##-708	11 5/8	12 9/16
FSD TRENCH - V-BOTTOM 809	FTV5*##-809	12 9/16	13 1/2
FSD TRENCH - V-BOTTOM 9010	FTV5*##-9010	13 1/2	14 7/16

TRENCH DRAIN CATCH BASINS ARE AVAILABLE IN ANY CUSTOM DIMENSIONS

SPECIFYING ENGINEER IS RESPONSIBLE FOR CONCRETE ENCASEMENT AND REINFORCING BASED UPON APPLICATION AND LOCAL CODES.
FOODSAFE DRAINS RESERVES THE RIGHT TO CHANGE THE PRODUCT AND SPECIFICATIONS WITHOUT NOTICE